

PEM* fuel cell stack M240

Metallic M-Stack 240 cm², 10-100 kW



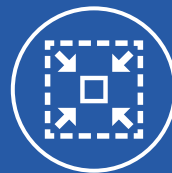
flat and
lightweight



Mobility



Industrial



Compact
max. = 7 kW/L



Best-in-class
max. = 5 kW/kg



Manufacturing
licensable



Shock &
vibration proof



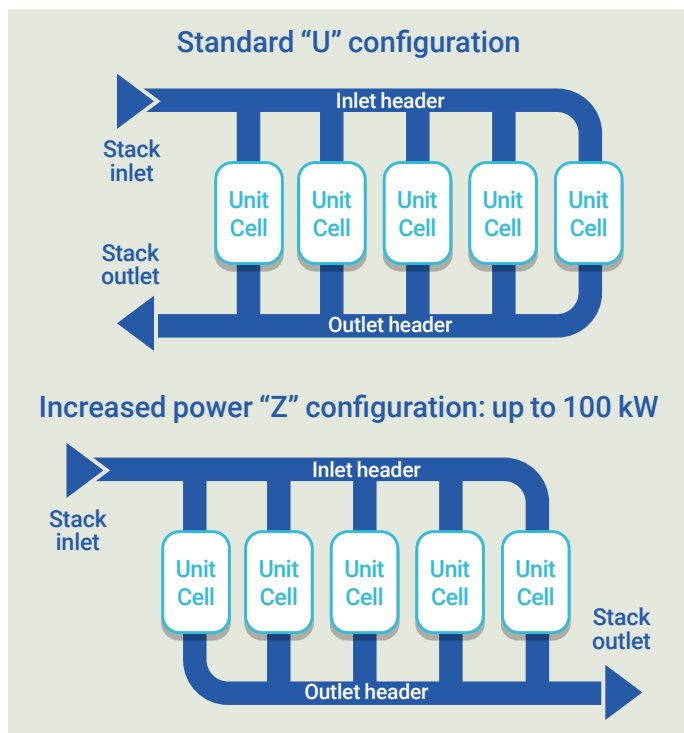
Support to
integration

Technical characteristics

Configuration

# of cells	100	200
Power (kW)	29	58
Voltage (V)	62	124
Power density (kW/L)	5.0	Nominal
Input / output power (kW/kg)	3.67	Nominal
Volume (L)	5.8	11.6
Weight (kg)	7.9	15.8
Width x height (mm)	455 x 111	
Length (mm)	115	230
Cell pitch (mm)	1.15	

Under nominal conditions: $P_{air} = P_{H_2} = 1.2$ barg, $ST_{air} = 2.2$, $RH_{air} = 40\%$, $T = 75^\circ C$
 Dimensions and weight are given without the external stack's casing.



Strength of a Group

- Axane is the fuel cell division of Air Liquide group
- Air Liquide hydrogen solutions can be handled globally and worldwide
- Patented technologies

Contacts

Axane

2, rue de Clémencière
 BP 15 – 38360 Sassenage, France

E-mail: fralat-contact-axane@airliquide.com

www.energies.airliquide.com/about-us/axane

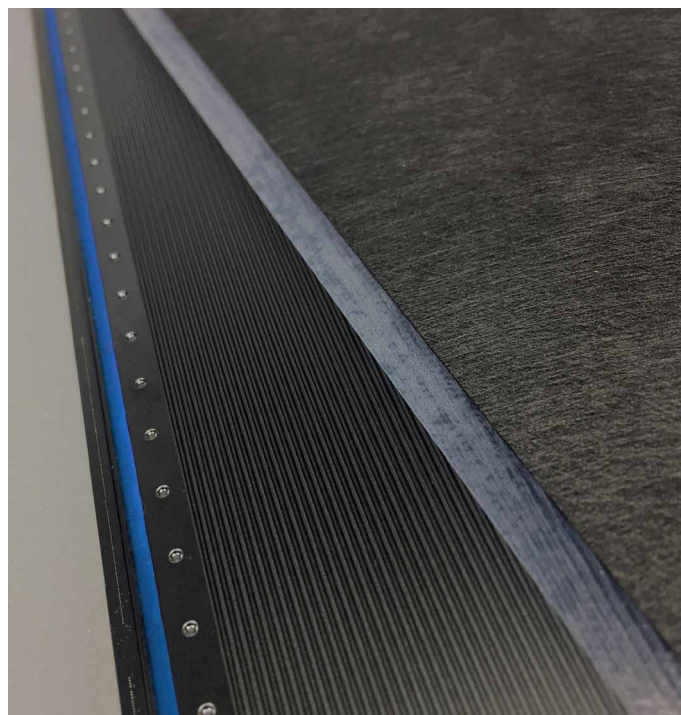
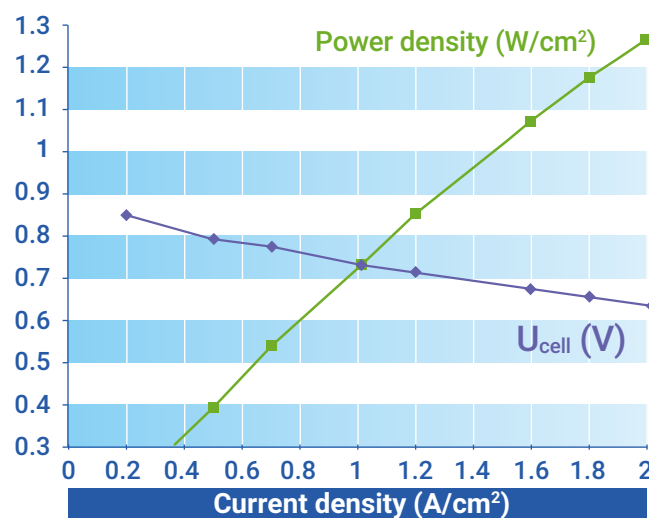


Operational range

Air	Pressure: between atmospheric and 2.5 barg
H ₂	$P_{H_2} = P_{air} + 0 / - 500$ mbar $P_{H_2} < 2.5$ barg, dead-end or recirculation
Coolant	$\Delta T \leq 7^\circ$, DI water or anti frost: typically BASF Glysantin®

M-240 polarization curve

$ST_{air} = 2.2$, $HR_{air} = 40\%$, $P_{air} = 1.2$ barg, $T^\circ = 75^\circ C$



www.airliquide.com



The world leader in gases, technologies and services for Industry and Health, Air Liquide is present in 73 countries with approximately 67,100 employees and serves more than 3.9 million customers and patients.