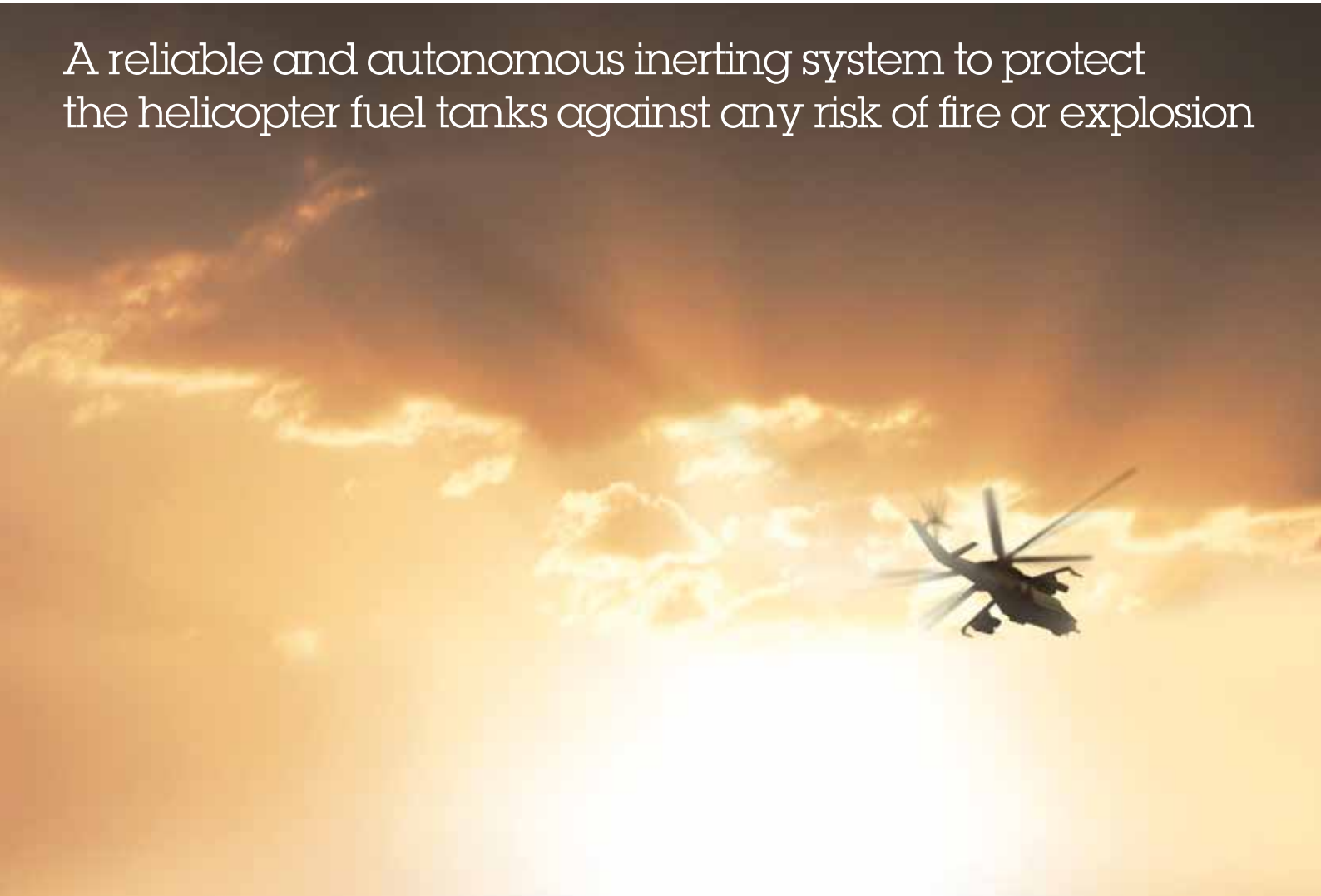


# OBIGGS for helicopter

## On-board inert gas generating system

A reliable and autonomous inerting system to protect the helicopter fuel tanks against any risk of fire or explosion



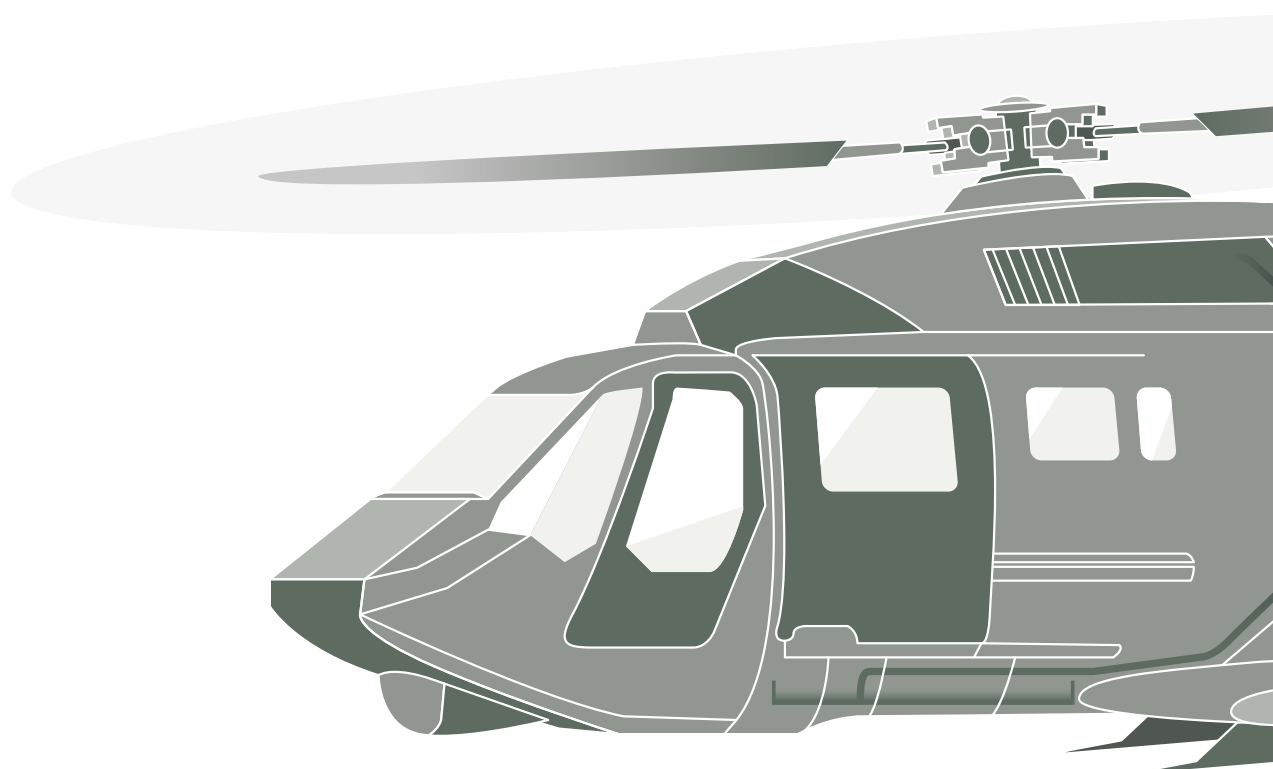
Due to its simple design the OBIGGS is a reliable equipment, generating nitrogen on board to fully protect the helicopter tanks against explosion. Based on a hollow fiber molecular separation process, the OBIGGS produces the flow of Nitrogen Enriched Air (NEA), keeping the ullage non-flammable.



# Why should you select an OBIGGS?

---

- ✓ To protect the helicopter fuel tanks against explosion and increase its survivability
- ✓ To improve crew members safety
- ✓ To avoid ground and logistics supports
- ✓ To choose a light and reliable inerting system



## The pros of its technology and design

---

- Fast and accurate regulation of the gas
- Flexible and simple integration
- Compact lightweight system
- No calibration nor logistic
- Control signals to monitor the operational status of the equipment
- Reduced schedule maintenance
- Integrated controller (including a pressure regulator, a shut-off valve, a flow regulator and an oxygen analyser)
- Temperature Management System allowing to use bleed air with temperatures up to 400°C

## The pros of Air Liquide expertise

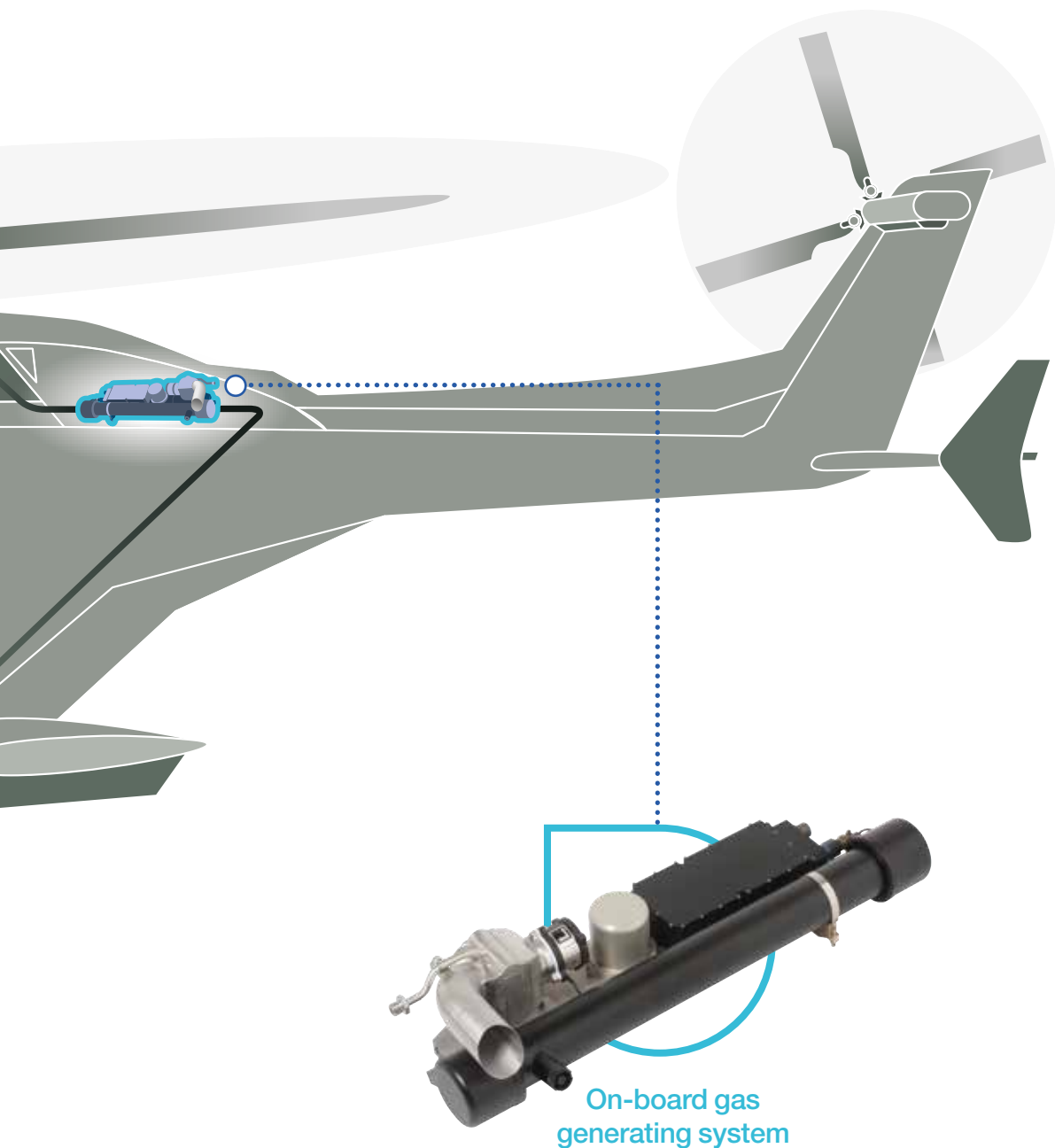
---

Our expertise in the fields of gases separation, analysis and storage allows to offer a global solution adaptable to your needs, integrating:

- Definition of specifications
- Gas distribution design (inerting modelling, piping sizing...)
- Supply of distribution components (hollow fibers membrane...)
- Manufacturing
- Integration
- Full support

# Why should you select an Air Liquide's OBIGGS?

The Air Liquide's OBIGGS has several pros coming from its up to date technology and the world wide recognized gas expertise of the Group.





## Main technical characteristics

	Light helicopter	Large helicopter
Weight	< 4.5 kg	< 12 kg
Flow	0.15 lb/min	0.4 lb/min
NEA (Nitrogen Enriched Air)	Up to 4% O <sub>2</sub>	Up to 7% O <sub>2</sub>
Power supply	28 Vdc - 115 Vac / 400 Hz	28 Vd - 115 Vac - 400 Hz

Separation by MEDAL hollow fibers membrane

## References

- Eurocopter TIGER
- Hindustan Aeronautics Ltd ALH
- Korea Aerospace Industry KUH, SURION

## Contacts

**Air Liquide**  
**Advanced Technologies**  
 2, rue de Clémencière  
 BP 15 – 38360 Sassenage, France  
 Phone: +33 4 76 43 66 46  
 E-mail: [gcom.alat@airliquide.com](mailto:gcom.alat@airliquide.com)  
[www.advancedtech.airliquide.com](http://www.advancedtech.airliquide.com)

[www.airliquide.com](http://www.airliquide.com)



A world leader in gases, technologies and services for Industry and Health, Air Liquide is present in 80 countries with approximately 66,000 employees and serves more than 3.6 million customers and patients.